



## PARTITIONING SYSTEM SPECIFICATION SHEET

# PEDESTAL MOUNTED OVERHEAD BRACED MOISTURE RESISTANT BOARD

AVAILABLE IN 18MM OR 32MM MR BOARD.

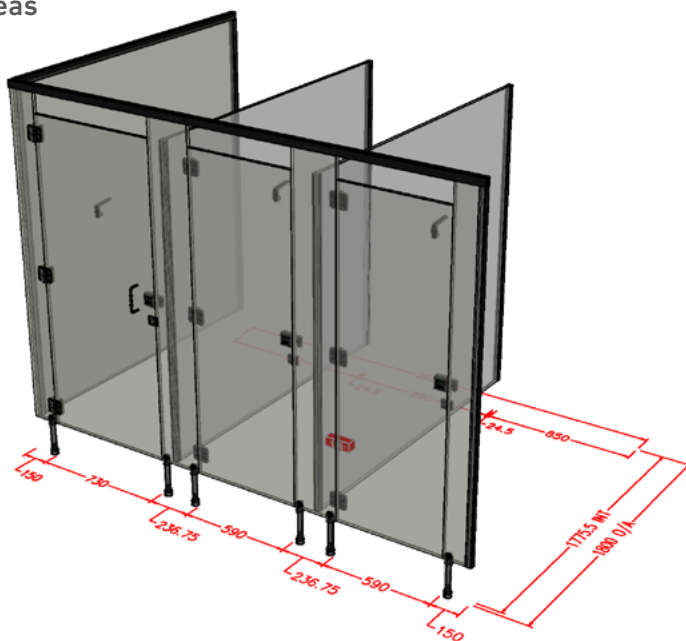
MR BOARD IS LAMINATED ON BOTH SIDES WITH A HARDWAREING MELAMINE DECORATIVE SURFACE. THE SUPERIOR PERFORMANCE IS DUE TO THE BONDING OF THE WOOD PARTICLES WITH A SPECIAL BLENDED MOISTURE RESISTANT RESIN.

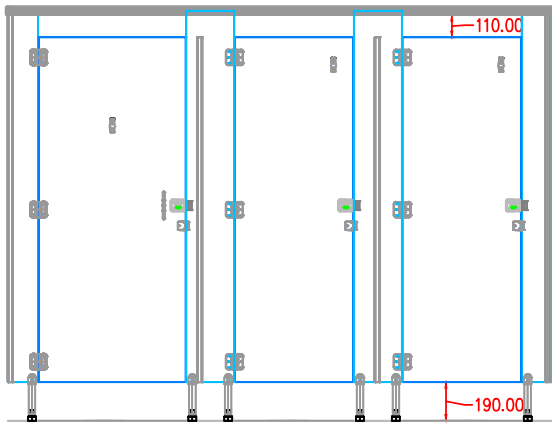
Available for NSW / ACT / Brisbane and Surrounding Areas

## A ROBUST LOW MAINTENANCE PARTITIONING SYSTEM FOR:

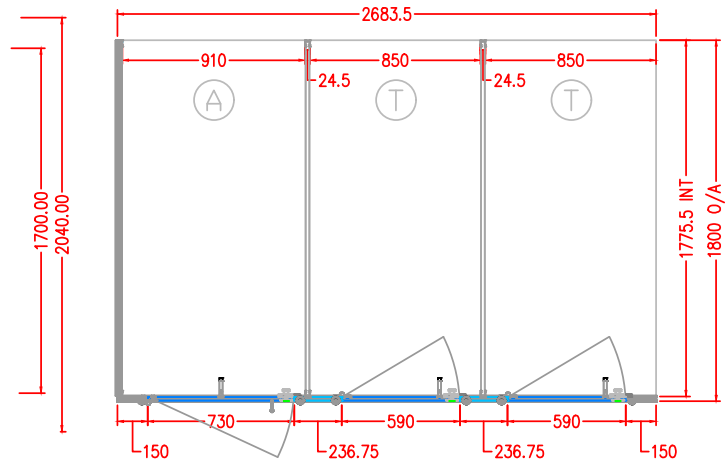
-  SCHOOLS & UNIVERSITIES
-  HOTELS & CLUBS
-  SHOPPING CENTRES
-  CORPORATE OFFICES

- ▶ IDEALLY SUITED FOR TOILETS ONLY.  
NOT SUITABLE FOR SHOWERS  
OR WET AREAS.





Elevation



Layout

## DESIGN FEATURES

- ▶ HARDWARE MELAMINE DECORATIVE SURFACE
- ▶ 1MM MATCHING ABS EDGE
- ▶ 3 METLAM MODA CONCEALED SPRING HINGES
- ▶ MODA CONCEALED COAT HOOK
- ▶ MODA SLIDE LOCK INC LIFT OFF STAPLE
- ▶ INDICATOR SET
- ▶ MODA RUBBER INSERT BUMPER
- ▶ AVAILABLE IN EITHER 18MM OR 32MM THICKNESS

## WARRANTY

- ▶ VERTIBOARD MR 7 YEARS
- ▶ HARDWARE 12 MONTHS
- ▶ LIFETIME INSTALLATION (IF INSTALLED BY AN INTERLOC REGISTERED INSTALLER)

## BENEFITS

- ▶ EASY TO CLEAN
- ▶ MTO
- ▶ CUSTOM SIZES
- ▶ MOST ECONOMICAL PARTITIONING SYSTEM
- ▶ AVAILABLE AS TOILET PARTITIONS

## HARDWARE

- ▶ 190MM ADJUSTABLE ALUMINIUM LEGS WITH BLACK NYLON BASE
- ▶ STAINLESS STEEL FIXINGS
- ▶ NATURALLY ANODISED ALUMINIUM EXTRUSION
- ▶ POWDER COATING AVAILABLE UPON REQUEST



Heavy Duty Aluminum Pedestal Leg



Concealed Moda Spring Hinges



Concealed Moda Bumper



Moda Lock and Indicator



Concealed Moda Hat and Coat Hook